

# X04

## Tiltrotator 2-4 ton

---

### A tiltrotator optimized for compact excavators between 2 and 4 tonnes

Steelwrist small tiltrotators are developed with a focus on flexibility, building height and low weight, that is so important for compact excavators. With a steel cast structure, the weight can be reduced, while strength is maximized.



#### Take on a variety of tasks with a tiltrotator on your compact excavator

Compact excavators are often used in different construction projects like landscaping, material handling, stump removal or light demolition. With the tiltrotator you increase the ability to reach tight spaces, and save time and reduce wear on both machine and surroundings as the need for machine movements at the worksite is minimized. The tiltrotator is exceptionally useful when digging trenches and for sewer lines in utility work, and in combination with a grapple you have a versatile setup for removing debris, or placing and removing trees.

A compact excavator with a tiltrotator is a good choice for construction work at busy and confined sites in the city, with workers and citizens on the move nearby. The tiltrotator brings more manoeuvrability in a sensitive area, while delivering excellent earthmoving capacities and efficiency for the excavator. A Direct Fit configuration is often chosen for compact excavators, where the tiltrotator is permanently mounted to the dipper arm.

Steelwrist quick couplers and tiltrotators follow the symmetrical standard (S-standard), the fastest growing coupler type internationally. The attachment coupler on the tiltrotator has Front Pin Hook (FPH), for safe work tool changes. The tiltrotator is delivered with a control system that fits your excavator regardless if you need a two or four hose solution.

#### Control system

Steelwrist supply two types of tiltrotator control systems. Quantum is an advanced control system where ergonomics, easy installation and fuel efficiency, remote support and automatic tool recognition are important parts of the system. The four hose proportional machine control is the more basic system.

#### Gripper cassette (option)

Equip the tiltrotator with a gripper cassette with a finger gripper that will make your excavator even more flexible, handling objects with precision. The gripper cassette can be retrofitted.

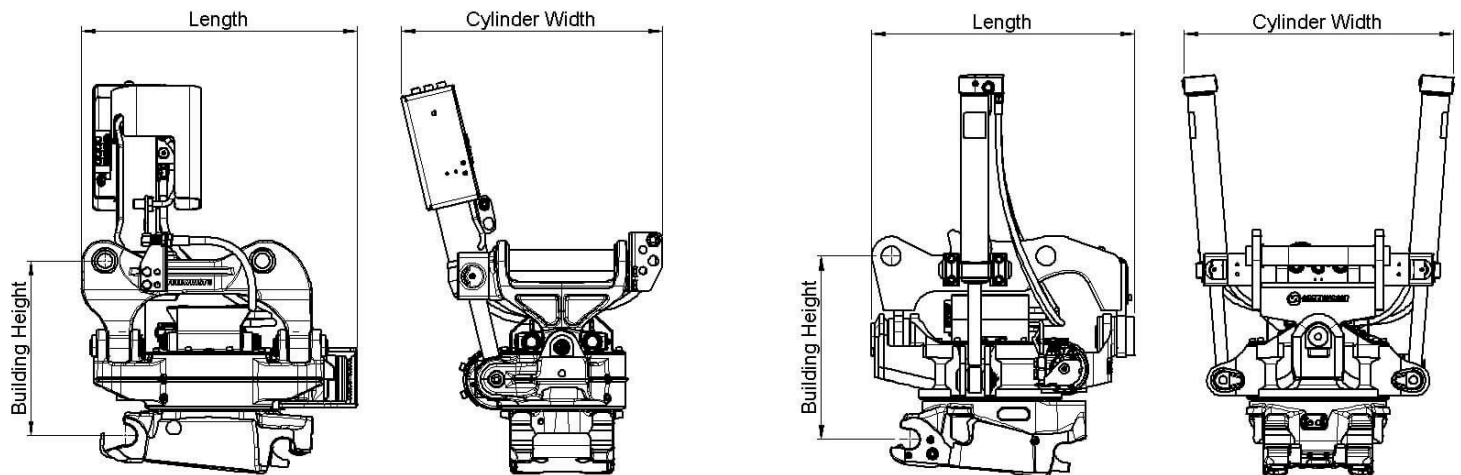
#### Central lubrication (option)

Our tiltrotators can be equipped directly from factory with central lubrication that fits all central lubrication systems on the market.

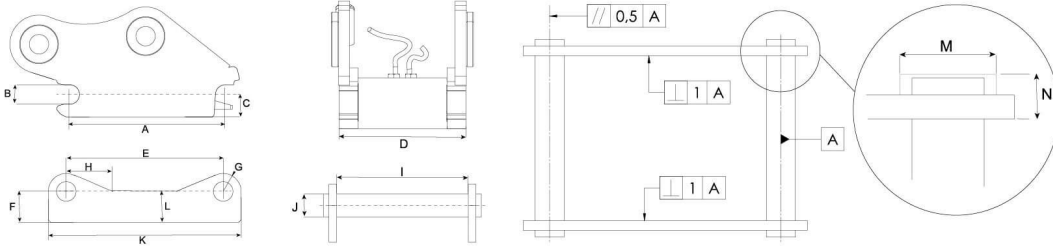
*The X04 tiltrotator is also available with Verachttert (CW) coupler interface. For Verachttert (CW) the tiltrotator always has a Direct fit configuration.*

## 🔧 Technical specification

Tiltrotator	X04	X04		
Machine Interface	S40	DF		
Tiltrotator Quick Coupler	S40	S40		
Machine weight [ton]	2-4	2-4		
Max Breakout torque [kNm]	35	35		
Weight from [kg]	120	120		
Gripper weight [kg]	45	45		
Building height [mm]	343	324		
Length [mm]	523	570		
Cylinder width [mm]	499	437		
Max tilt angle [degrees]	±45	±45		
Max width dipper arm [mm]	-	142		
Pin diameter [mm]	-	35-45		
Pin distance [cc-measure] [mm]	-	130-240		
Tilt Torque [kNm]	10,6	10,6		
Rotational Torque [kNm]	3,9	3,9		
Hydraulic AUX with gripper	1	1		
Hydraulic AUX without gripper	1	1		
Lifting hook [ton]	-	1		
Oil Flow [l/min]	28	28		
Max pressure [bar]	210	210		
Max Pressure Separate AUX [bar]	-	-		
Safety solution	FPH	FPH		



**Symmetrical Quick Couplers for Excavators (S-standard)**



Dimensions and tolerance table

Measurements (mm)	S30 /150	S30 /180	S40 /240	S45 /240	S50 /240	S60 /240	S70 /240	S80 /240	S90 /260	S90 /260	S100 /260	S120 /260
A	199,8 ±0,2	229,8 ±0,2	299,8 ±0,2	299,8 ±0,2	429,8 ±0,2	429,8 ±0,2	479,8 ±0,2	599,8 ±0,2	699,8 ±0,2	749,8 ±0,2	749,8 ±0,2	899,8 ±0,2
B	30	30	40	40	45	50	60	70	80	90	90	100
C	40	45	50	50	65	65	80	100	115	125	125	150
D	148 ±1	178 ±1	198 ±1	238 ±1	288 ±1	268 ±1	338 ±1	448 ±1	588 ±1	618 ±1	748 ±1	868 ±1
E	200,5 ±0,5	230,5 ±0,5	300,5 ±0,5	300,5 ±0,5	430,5 ±0,5	430,5 ±0,5	480,5 ±0,5	600,5 ±0,5	670,5 ±0,5	750,5 ±0,5	750,5 ±0,5	900,5 ±0,5
F	45	50	55	55	70	70	85	115	135	155	155	175
G	30	30	40	40	45	45	60	75	90	110	110	125
H	85	85	100	100	125	125	150	250	250	250	250	250
I	152 ±1	182 ±1	202 ±1	242 ±1	292 ±1	272 ±1	342 ±1	452 ±1	592 ±1	622 ±1	752 ±1	872 ±1
J	30	30	40	40	45	50	60	70	80	90	90	100
K	260	290	380	380	520	520	600	740	830	1000	1000	1150
L	45	50	55	55	70	70	85	115	135	200	200	250
M	62	62	72	72	77	77	92	102	122	132	132	142
N	25	25	28	28	30	30	35	40	55	70	70	80

Load table

Quick Coupler Size	Width (mm)	Shaft c-c (mm)	Shaft diameter (mm)	Minimum Positive Torque (kNm)	Minimum Negative Torque (kNm)	Max recommended machine weight (ton)
S30/150	150	200	30	28	20	2
S30/180	180	230	30	28	20	2
S40	200	300	40	35	23	6
S40/240	240	300	40	40	26	7
S45	290	430	45	65	42	11
S50	270	430	50	65	42	11
S60	340	480	60	150	75	18
S70	450	600	70	300	195	30
S80	590	670	80	600	390	40
S90/620	620	750	90	1000	650	70
S90/750	750	750	90	1000	650	70
S100	750	900	100	1200	775	85
S120	925	870	120	1600	1000	100